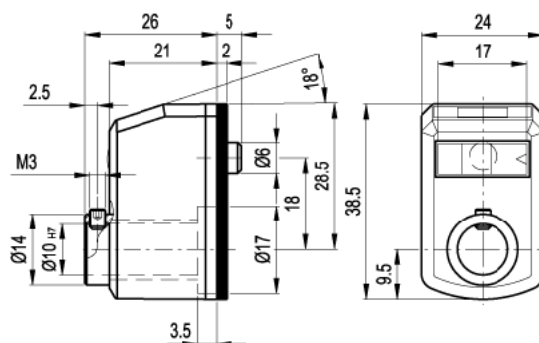


Varenummer: 2307081253
 Beskrivelse: E+G Mini mekanisk tæller
 DD50-FN-05.0-D-AR Orange

Mål



Reading position	Pitch	Reading after one revolution				Speed (rpm)*	Direction of rotation	Colour
		0	1	0	0			
AN Analog upper	1.0	01.0	0.10	010	1500		AR orange RAL 2004	
AR Analog lower	2.0	02.0	0.20	020	1250		D clockwise	
FN Front upper	4.0	04.0	0.40	040	625		GR grey RAL 7035	
FR Front lower	5.0	05.0	0.50	050	500		S anti-clockwise	
	10	10.0	1.00	100	250		NR non-reflective RAL 7021	

01.0	Standard reading				
0.10	Reading available on request (see 11.5.2)	DD	50	FR	010

* The maximum rotation speed (rpm) of the spindle reported in the table corresponds to a maximum rotation speed of 25,000 units per minute of the test roll on the right side of the counter. Rotational speed tests have been performed in our laboratory under standard operating conditions.

Betegnelsen = Se mål på tegning